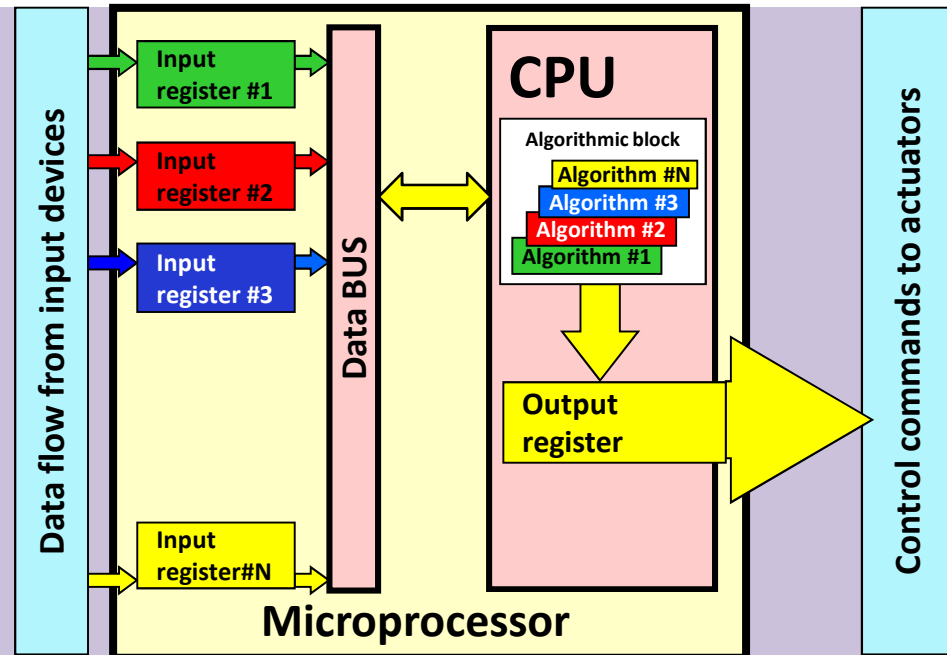


# FPGAs compared to microprocessors

Microprocessors have serial data processing....



....but simple FPGAs can be just logic solvers with parallel data processing and no software.....

*(although complex FPGAs can have embedded microprocessors.....)*

